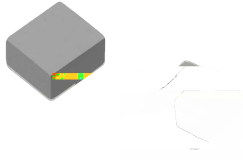


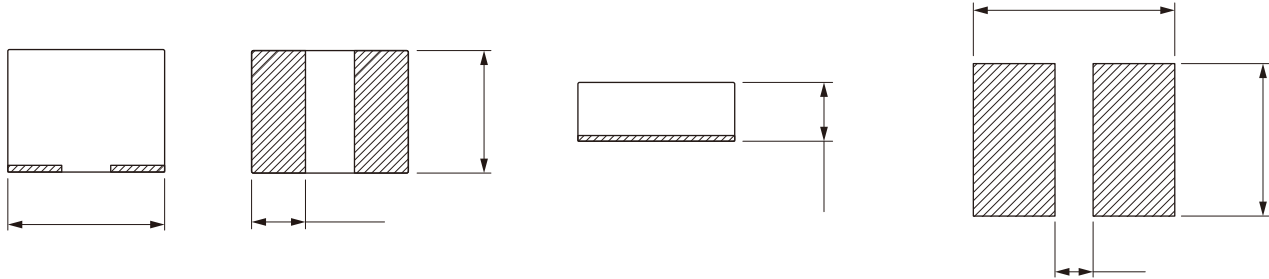


MDTE Series

FEATURES

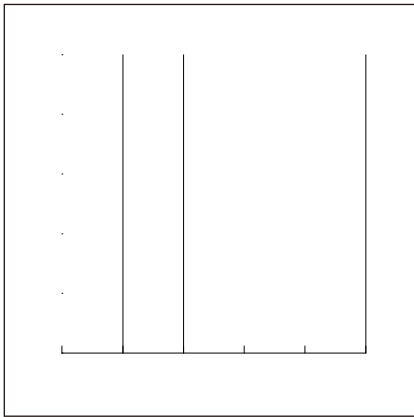


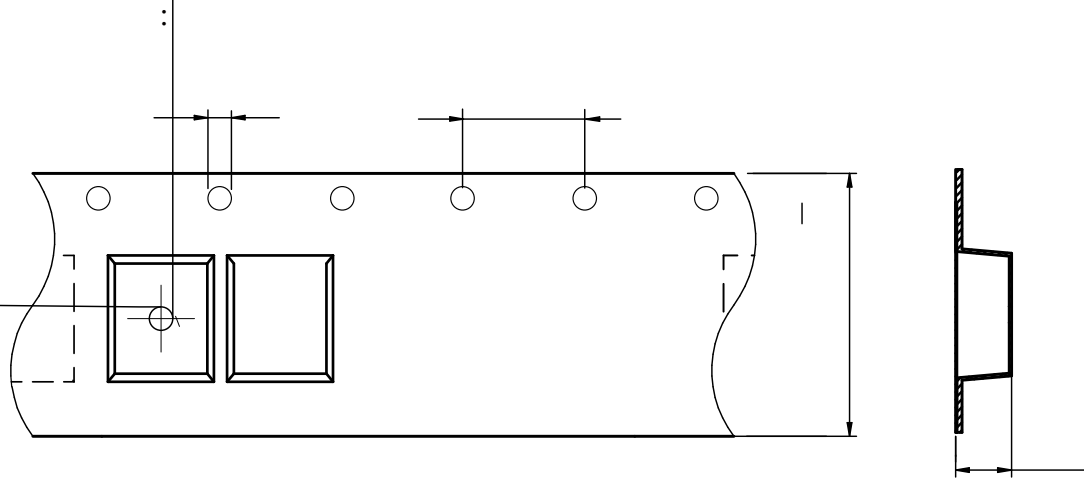
- 0
- =) #k
- †
- =
- 0 h 7 k =0
- \ C
-



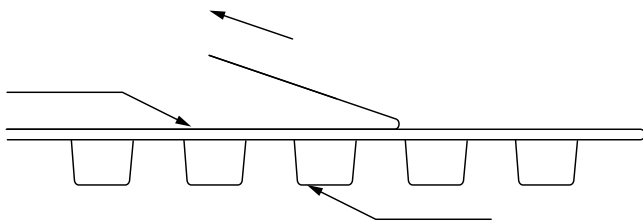
Part No	Inductance @ 1MHz/1V	Tolerance	Current Typ.	Current Max.	Temperature Rise Current Typ.	Temperature Rise Current Max.	DC Resistance Max.
MDTE141208-R33M	0.33	±20%	5.3	5.0	4.0	3.5	28
MDTE141208-R47M	0.47	±20%	4.6	4.2	3.8	3.3	35







MDTE141208	1.5±0.1	1.7±0.1	1.5±0.1	4.0±0.1	4.0±0.1	8.0±0.1	1.0±0.1	1.75±0.1	0.25±0.05



The peel force of top cover tape shall be between 0.1 to 0.98 N

